

**A**  
SIZE

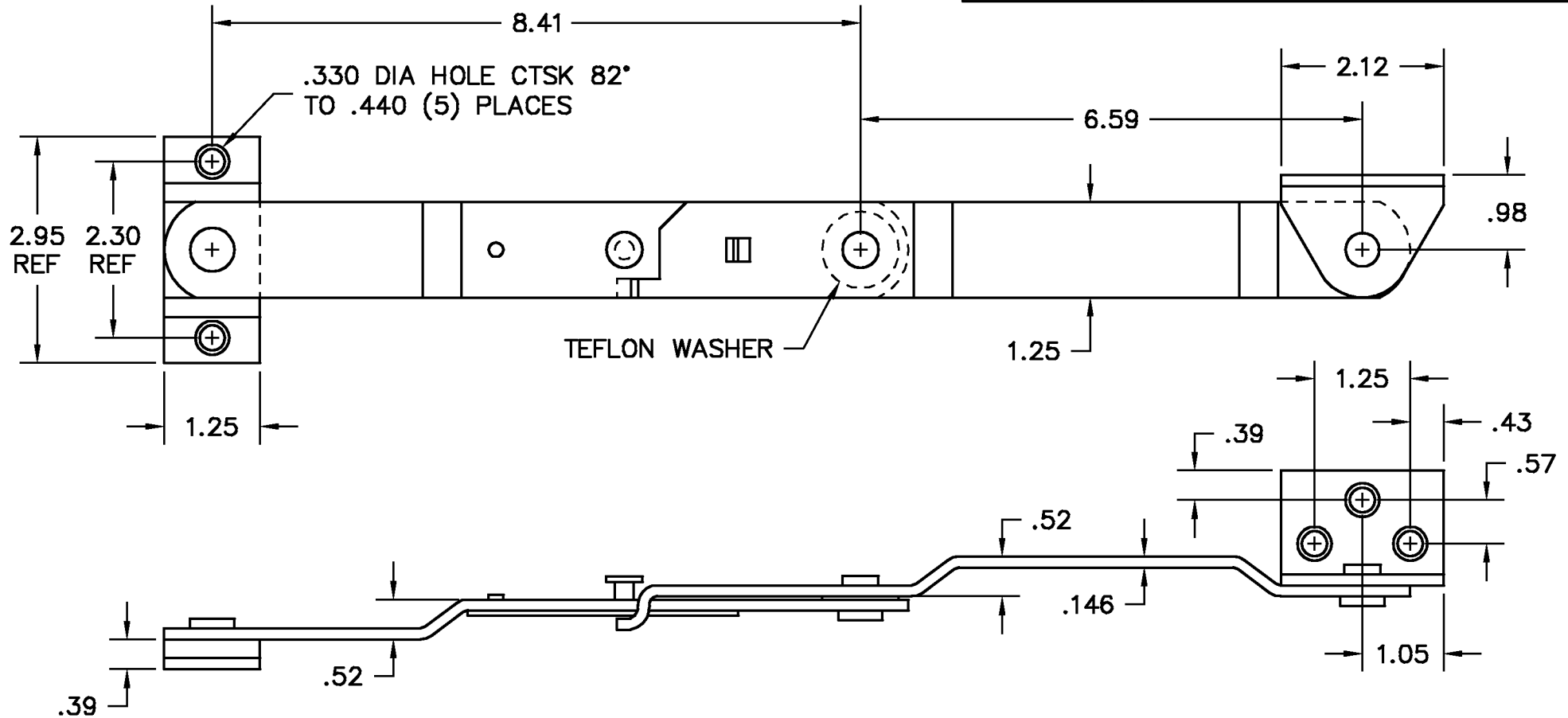
PROJECTIONS



TOLERANCES UNLESS OTHERWISE SPECIFIED:

PLACES	INCH
.XX	± .030
.XXX	± .015
.XXXX	± .005
ANGLE	3°

NOTE:  
ACCEPTABLE BURR ± 10% OF MATERIAL THICKNESS  
ALL TOLERANCES ARE NON-CUMULATIVE  
ALL DIMENSIONS APPLY TO PART BEFORE ANY FINISH IS APPLIED



- NOTES:  
1. FINISH: 92- RACK ZINC & CLEAR CHROMATE  
2. SCREWS: (5) #12 X 1.25 FLAT HEAD SHEET METAL

DWG 7791RH-02		SCALE 1:2	CODE IDENT. # 03007
MATERIAL PS		FINISH SEE NOTE	
DR. BY RAG		CK. BY CD	
FAX: 1-631-737-2933		99 RAYNOR AVE.	
EMAIL: info@guden.com		RONKONKOMA, N.Y. 11779	
WEB: www.guden.com		1-800-3-HINGES	



A	DESCRIPTION	DATE	APPD
	ADDED WASHER & SCREWS	06/07/02	CD
LTR	REVISION		

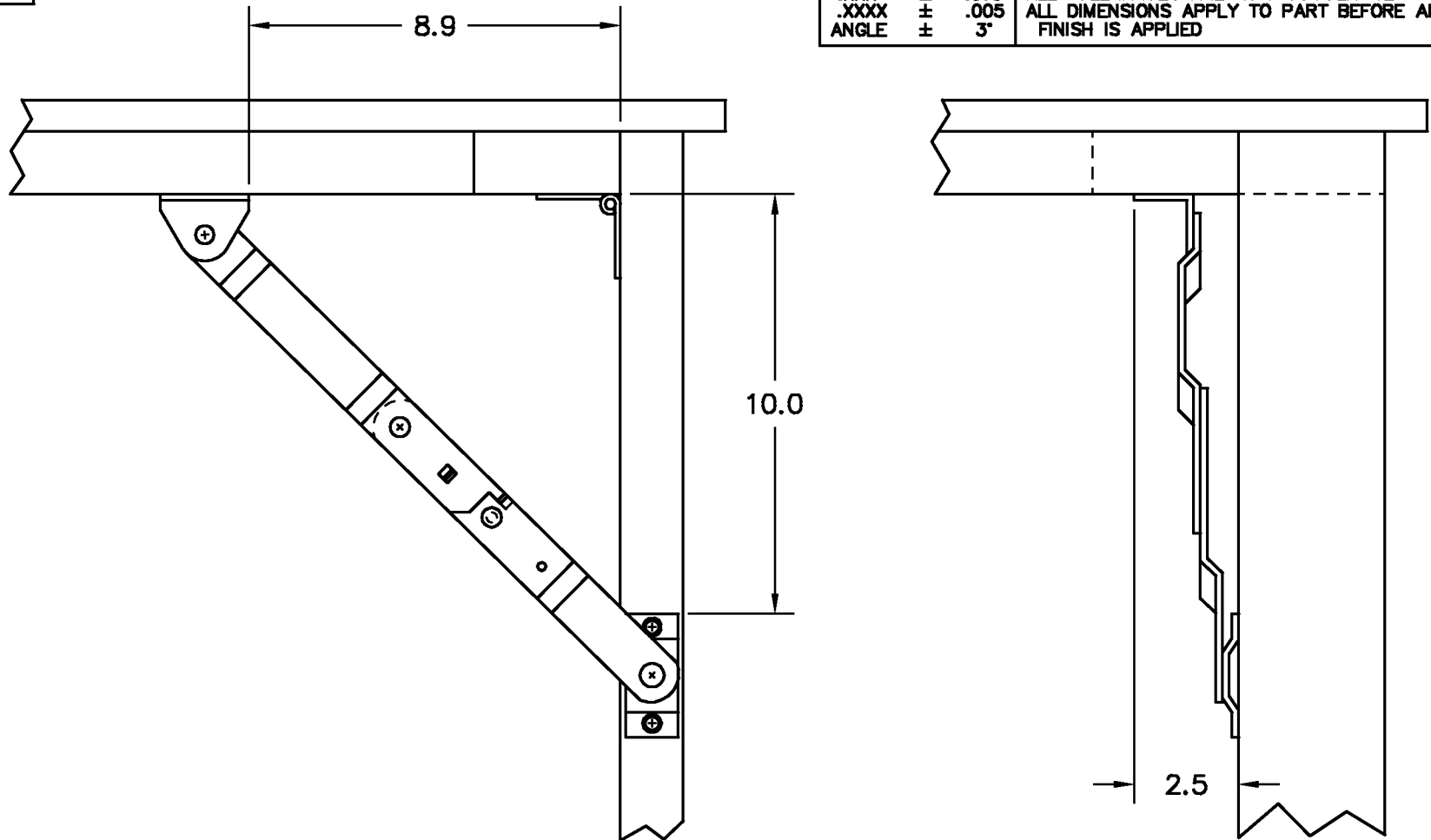
**A**  
SIZE

PROJECTIONS



TOLERANCES UNLESS OTHERWISE SPECIFIED:

PLACES	INCH	NOTE:
.XX	± .030	ACCEPTABLE BURR ± 10% OF MATERIAL THICKNESS ALL TOLERANCES ARE NON-CUMULATIVE ALL DIMENSIONS APPLY TO PART BEFORE ANY FINISH IS APPLIED
.XXX	± .015	
.XXXX	± .005	
ANGLE	± 3°	



NOTES:  
1. INSTALLATION DIAGRAM FOR GUDEN 7791RH  
RIGHT HAND TABLE LEG SUPPORT

DWG 7791RH INST.		SCALE N/A	CODE IDENT. # 03007
MATERIAL N/A	FINISH N/A		
DR. BY RAG	CK. BY CD		
FAX: 1-631-737-2933 EMAIL: info@guden.com WEB: www.guden.com		99 RAYNOR AVE. RONKONKOMA, N.Y. 11779 1-800-3-HINGES	

LTR	DESCRIPTION	DATE	APPD
	REVISION		