

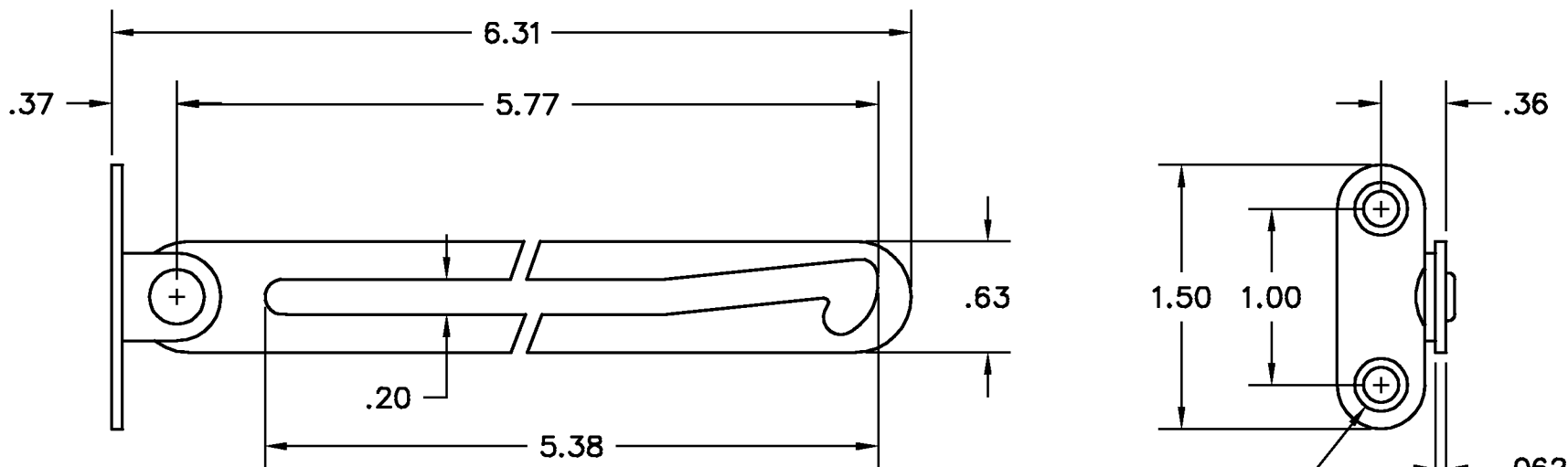
A
SIZE

PROJECTIONS



TOLERANCES UNLESS OTHERWISE SPECIFIED:

PLACES	INCH	NOTE:
.XX	± .030	ACCEPTABLE BURR ± 10% OF MATERIAL THICKNESS ALL TOLERANCES ARE NON-CUMULATIVE ALL DIMENSIONS APPLY TO PART BEFORE ANY FINISH IS APPLIED
.XXX	± .015	
.XXXX	± .005	
ANGLE	3°	



.2100 DIA HOLE CTSK 82°
TO .300 ± .010 (2) PLACES

NOTES:
1. FINISH: 75- BARREL NICKEL

DWG		SCALE	1:1	CODE IDENT. #
7775LH-14		DATE	02/26/99	03007
MATERIAL	FINISH			
PS	SEE NOTE			
DR. BY RAG	CK. BY CD	<p>99 RAYNOR AVE. RONKONKOMA, N.Y. 11779 1-800-3-HINGES</p>		
FAX: 1-631-737-2933				
EMAIL: info@guden.com				
WEB: www.guden.com				

A	DESCRIPTION	DATE	APPD
	6.31 WAS 6.20	01/13/03	CD
LTR	REVISION		