

A
SIZE

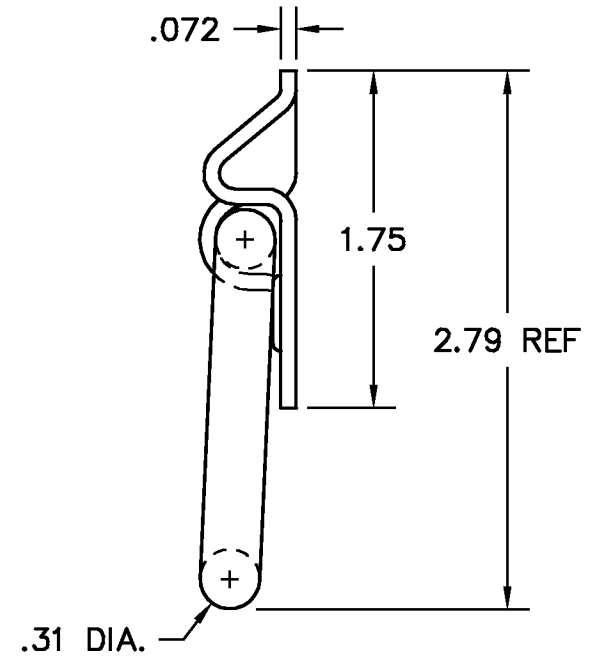
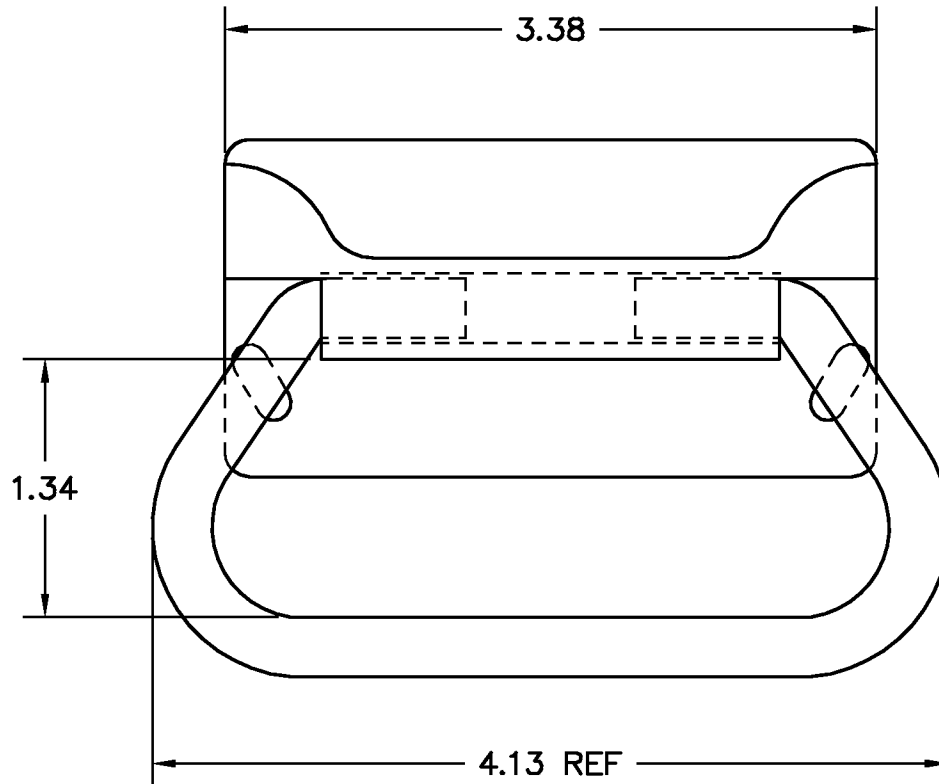
PROJECTIONS



TOLERANCES UNLESS OTHERWISE SPECIFIED:

PLACES	INCH
.XX	± .030
.XXX	± .015
.XXXX	± .005
ANGLE	3°

NOTE:
ACCEPTABLE BURR ± 10% OF MATERIAL THICKNESS
ALL TOLERANCES ARE NON-CUMULATIVE
ALL DIMENSIONS APPLY TO PART BEFORE ANY FINISH IS APPLIED



NOTES:
1. FINISH: 00- NO FINISH

H	1.34 WAS 1.25, 2.79 WAS 2.75	06/28/10	JG	DWG	SCALE	1:1	CODE IDENT. #
G	ADDED BOSS	05/18/10	JG		DATE	06/01/99	03007
F	REDRAWN	06/01/99	CD	MATERIAL PS	FINISH SEE NOTE		
E	REDRAWN	01/27/92	AG				
D	VARIOUS CHANGES	10/02/91	AG	DR. BY RAG	CK. BY CD	99 RAYNOR AVE. RONKONKOMA, N.Y. 11779 1-800-3-HINGES	
C	"REF" ADDED	12/19/90	AG				
LTR	DESCRIPTION	DATE	APPD	FAX: 1-631-737-2933 EMAIL: info@guden.com WEB: www.guden.com			
REVISION							