

A
SIZE

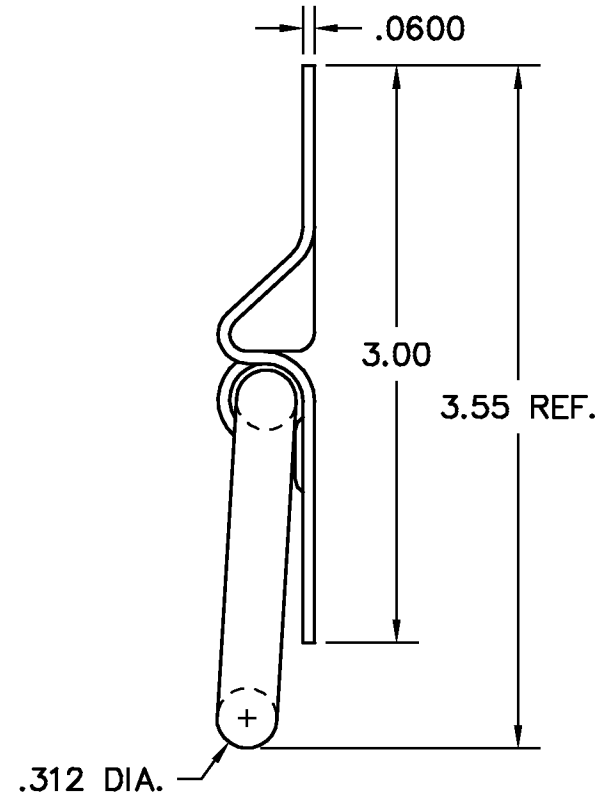
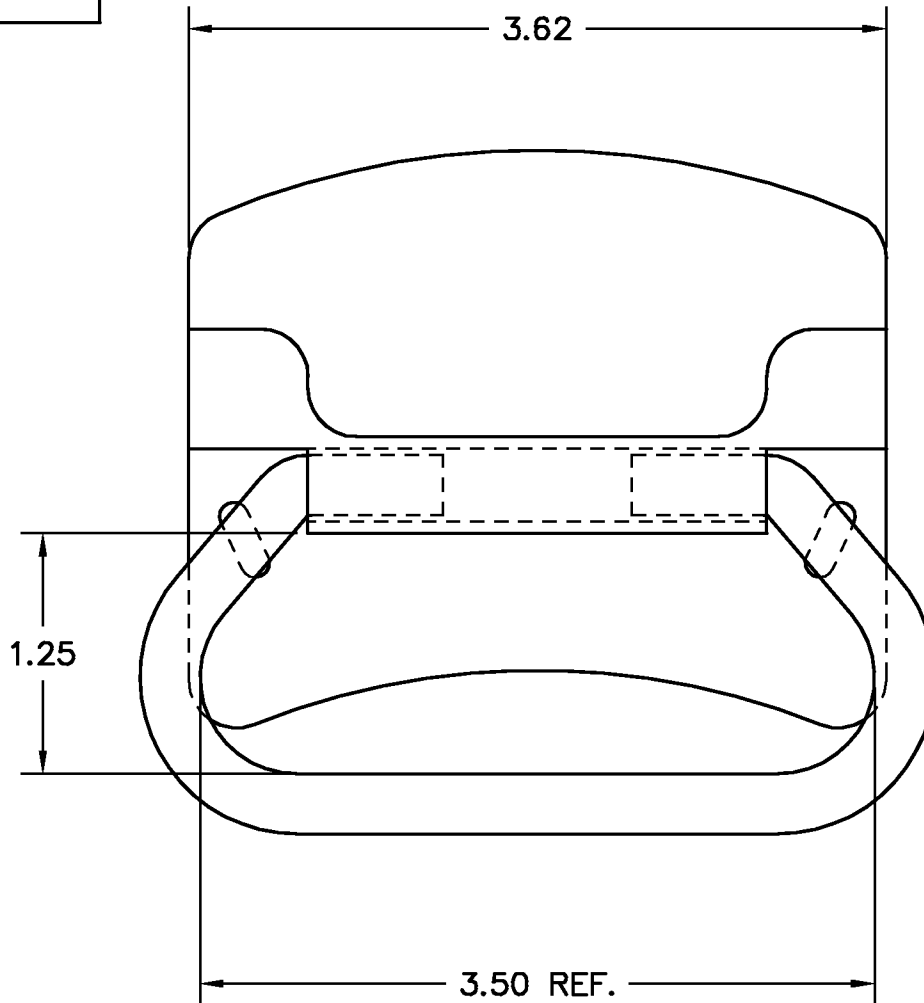
PROJECTIONS



TOLERANCES UNLESS OTHERWISE SPECIFIED:

PLACES	INCH
.XX	± .030
.XXX	± .015
.XXXX	± .005
ANGLE	3°

NOTE:
ACCEPTABLE BURR ± 10% OF MATERIAL THICKNESS
ALL TOLERANCES ARE NON-CUMULATIVE
ALL DIMENSIONS APPLY TO PART BEFORE ANY FINISH IS APPLIED



NOTES:
1. FINISH: 00- NO FINISH

DWG
NHPS1205-350

SCALE	1:1	CODE IDENT. #
DATE	05/19/99	03007

MATERIAL PS	FINISH SEE NOTE
DR. BY RAG	CK. BY CD



B	DESCRIPTION	DATE	APPD
	REDRAWN	05/19/99	CD
A	REDRAWN	01/30/92	AG
LTR	DESCRIPTION	DATE	APPD
REVISION			

FAX: 1-631-737-2933
EMAIL: info@guden.com
WEB: www.guden.com

99 RAYNOR AVE.
RONKONKOMA, N.Y. 11779
1-800-3-HINGES