

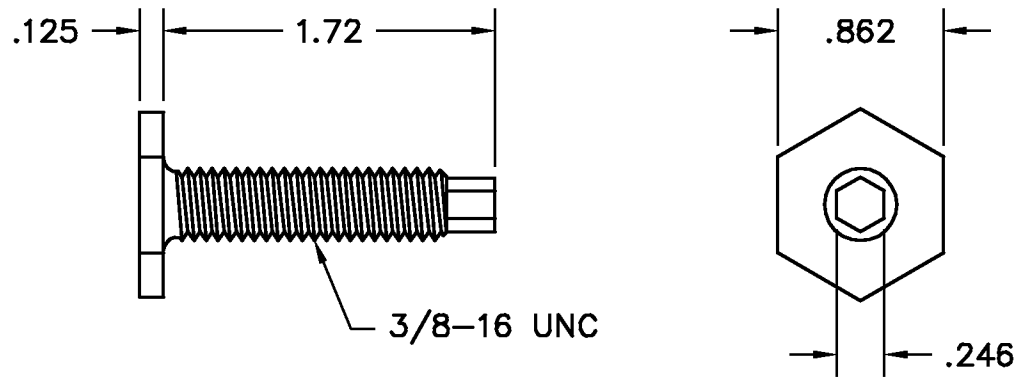
A
SIZE

PROJECTIONS




TOLERANCES UNLESS OTHERWISE SPECIFIED:

| PLACES | INCH | NOTE: |
|--------|--------|-----------------------------------------------------------------------------------------------------------------------------------------------|
| .XX | ± .030 | ACCEPTABLE BURR ± 10% OF MATERIAL THICKNESS ALL TOLERANCES ARE NON-CUMULATIVE ALL DIMENSIONS APPLY TO PART BEFORE ANY FINISH IS APPLIED |
| .XXX | ± .015 | |
| .XXXX | ± .005 | |
| ANGLE | 3° | |



NOTES:
1. FINISH: 90- BARREL ZINC & CLEAR CHROMATE

| | | | |
|--------------------------------------------------------------------|--|-----------------------------------------------------------------------------------------------------------------------------------------------------|------------------------|
| DWG GLIDE12-02 | | SCALE 1:1 | CODE IDENT. # 03007 |
| MATERIAL PS | | FINISH SEE NOTE | |
| DR. BY RAG | | CK. BY CD | |
| FAX: 1-631-737-2933 EMAIL: info@guden.com WEB: www.guden.com | |  99 RAYNOR AVE. RONKONKOMA, N.Y. 11779 1-800-3-HINGES | |

| LTR | DESCRIPTION | DATE | APPD |
|-----|-------------|------|------|
| | REVISION | | |