

A  
SIZE

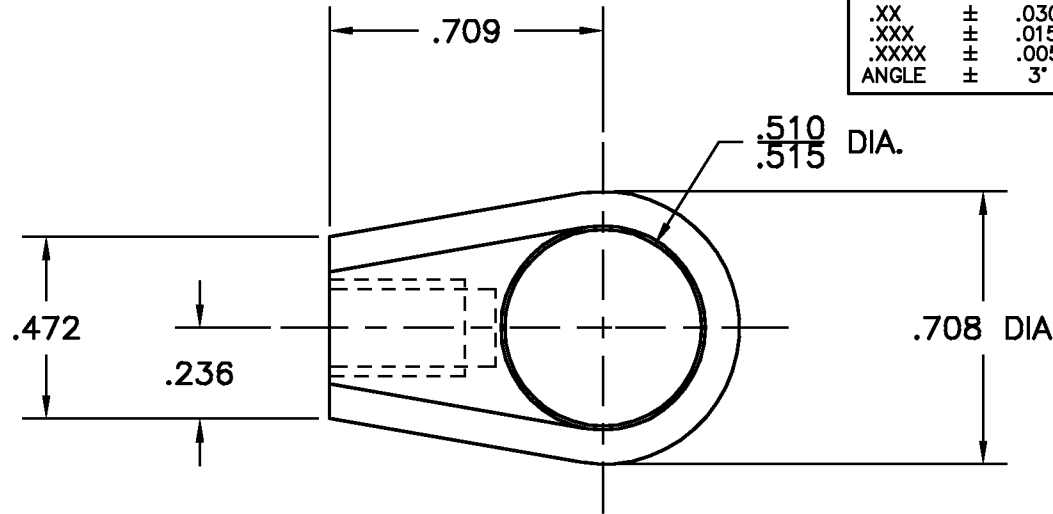
PROJECTIONS



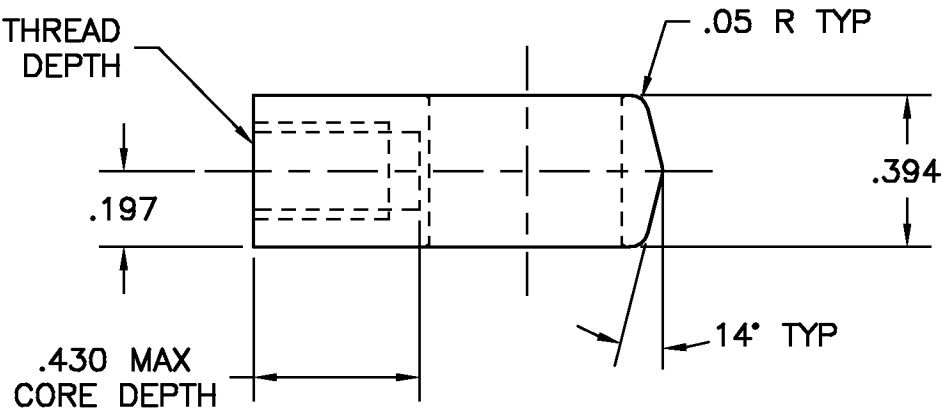
TOLERANCES UNLESS OTHERWISE SPECIFIED:

PLACES	INCH
.XX	± .030
.XXX	± .015
.XXXX	± .005
ANGLE	3°

NOTE:  
ACCEPTABLE BURR ± 10% OF MATERIAL THICKNESS  
ALL TOLERANCES ARE NON-CUMULATIVE  
ALL DIMENSIONS APPLY TO PART BEFORE ANY FINISH IS APPLIED



M6 X 1.0-6H THREAD  
FULL THREAD .350 MIN DEPTH



NOTES:

1. FINISH: 00- NO FINISH
2. MATERIAL: ZINC DIECAST

DWG

EF200

SCALE

2:1

CODE IDENT. #

DATE

01/29/99

03007

MATERIAL

SEE NOTE

FINISH

SEE NOTE

DR. BY RAG

CK. BY CD

**GUDEN**  
DELIVERING HARDWARE EXCELLENCE

B	DESCRIPTION	DATE	APPD
B	CORRECTED THREAD	02/23/10	DW
A	CHANGED THREAD	04/05/99	CD
LTR	REVISION		

FAX: 1-631-737-2933  
EMAIL: info@guden.com  
WEB: www.guden.com

99 RAYNOR AVE.  
RONKONKOMA, N.Y. 11779  
1-800-3-HINGES