

**A**  
SIZE

PROJECTIONS

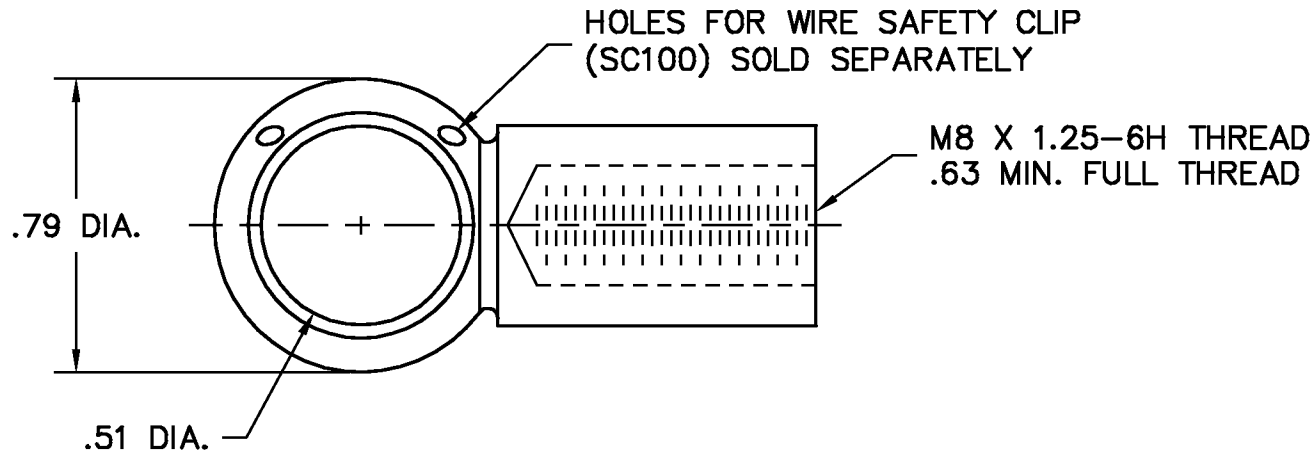
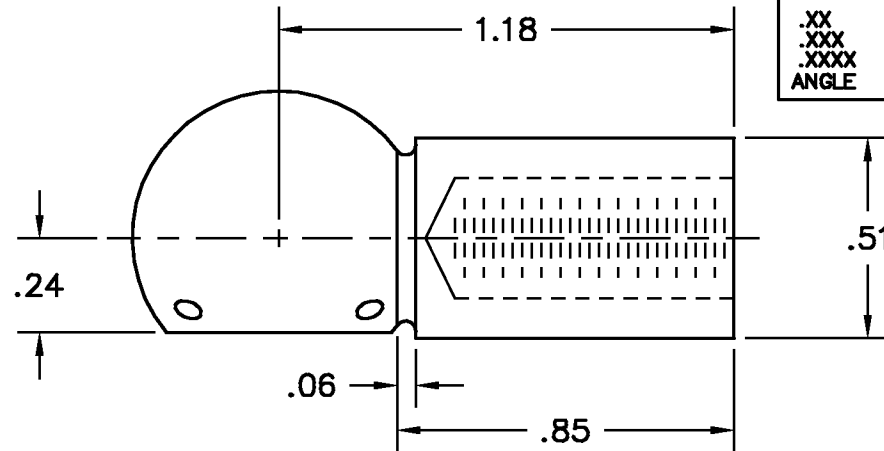


TOLERANCES UNLESS OTHERWISE SPECIFIED:

PLACES	INCH
.XX	± .030
.XXX	± .015
.XXXX	± .005
ANGLE	3°

NOTE:

ACCEPTABLE BURR ± 10% OF MATERIAL THICKNESS  
ALL TOLERANCES ARE NON-CUMULATIVE  
ALL DIMENSIONS APPLY TO PART BEFORE ANY  
FINISH IS APPLIED



NOTES:

1. FINISH: 90- BARREL ZINC & CLEAR CHROMATE
2. AVAILABLE FOR USE WITH GUDEN SERIES GGS30 GAS SPRINGS.

DWG		SCALE	2:1	CODE IDENT. #
EF100-02		DATE	02/01/99	03007
MATERIAL	FINISH			
PS	SEE NOTE			
DR. BY RAG	CK. BY CD	99 RAYNOR AVE. RONKONKOMA, N.Y. 11779 1-800-3-HINGES		
FAX: 1-631-737-2933 EMAIL: info@guden.com WEB: www.guden.com				

B	DESCRIPTION	DATE	APPD
B	REDRAWN	02/01/99	CD
A	ADDED VARIOUS DIMS	03/09/90	CD
LTR	REVISION		