

A
SIZE

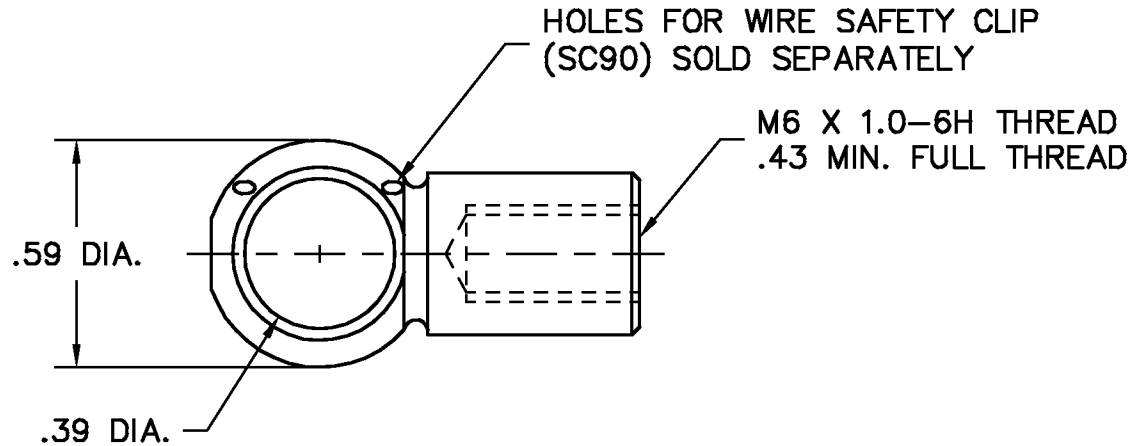
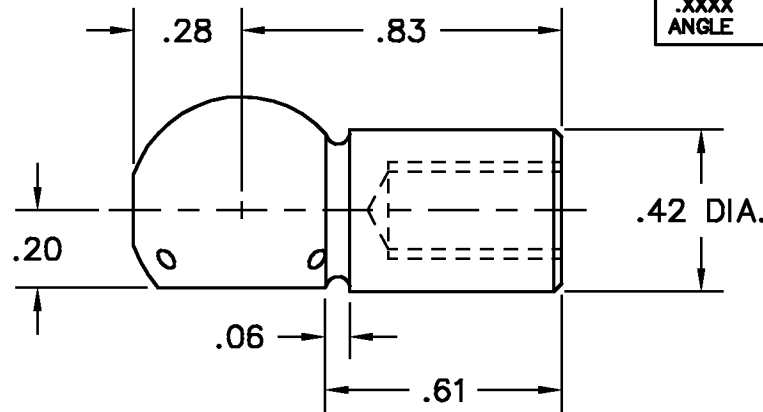
PROJECTIONS



TOLERANCES UNLESS OTHERWISE SPECIFIED:

| PLACES | INCH |
|--------|--------|
| .XX | ± .030 |
| .XXX | ± .015 |
| .XXXX | ± .005 |
| ANGLE | 3° |


NOTE:
ACCEPTABLE BURR ± 10% OF MATERIAL THICKNESS
ALL TOLERANCES ARE NON-CUMULATIVE
ALL DIMENSIONS APPLY TO PART BEFORE ANY FINISH IS APPLIED



NOTES:

1. FINISH: 90- BARREL ZINC & CLEAR CHROMATE
2. AVAILABLE FOR USE WITH GUDEN SERIES GGS20 & GGS30 GAS SPRINGS.

| LTR | DESCRIPTION | DATE | APPD |
|----------|-------------------------------|----------|------|
| D | REDRAWN, .61 WAS .74 | 07/23/98 | CD |
| C | .42 WAS .40 & .83 WAS .98 | 12/27/93 | CD |
| B | NOW AVAILABLE IN GGS30 SERIES | 09/11/90 | AG |
| A | ADDED VARIOUS DIMS | 03/09/90 | AG |
| REVISION | | | |

| | | | | |
|-----------------------|-----------|---|----------|---------------|
| DWG | | SCALE | 2:1 | CODE IDENT. # |
| EF090-02 | | DATE | 07/23/98 | 03007 |
| MATERIAL | FINISH |  | | |
| PS | SEE NOTE | | | |
| DR. BY RAG | CK. BY CD | 99 RAYNOR AVE. RONKONKOMA, N.Y. 11779 1-800-3-HINGES | | |
| FAX: 1-631-737-2933 | | | | |
| EMAIL: info@guden.com | | | | |
| WEB: www.guden.com | | | | |