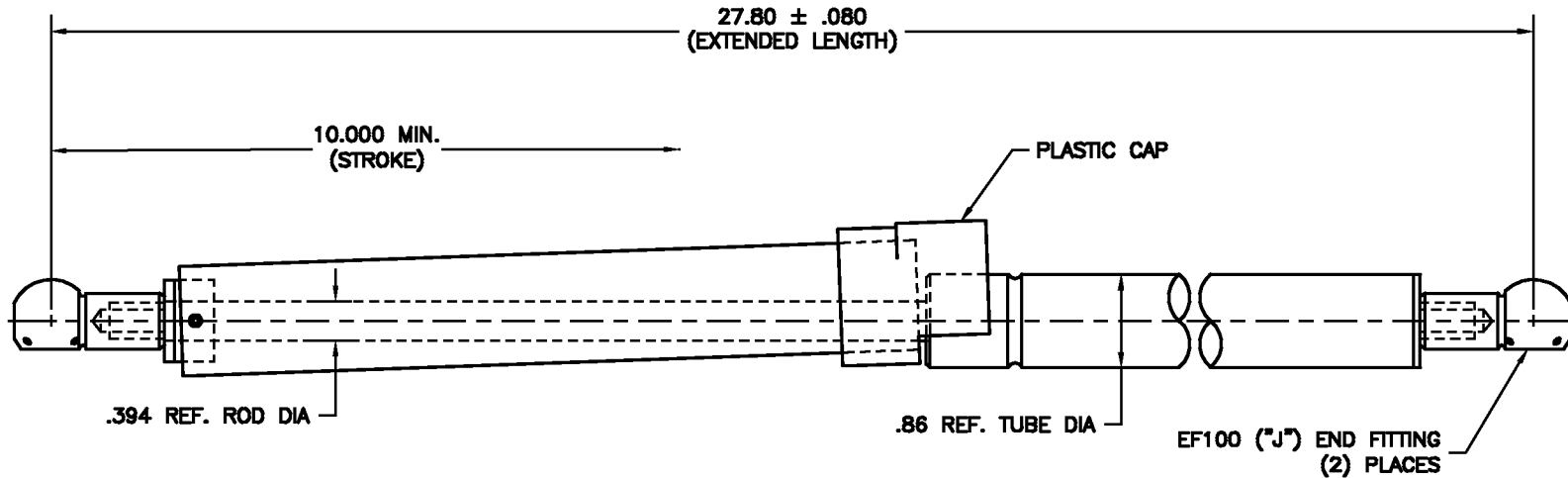


B
SIZE




TOLERANCES UNLESS OTHERWISE SPECIFIED:		
PLACES	INCH	NOTE:
JXX	± .030	ACCEPTABLE SURF ± 10% OF MATERIAL THICKNESS
JXX	± .015	ALL TOLERANCES ARE NON-CUMULATIVE
JXXX	± .005	ALL DIMENSIONS APPLY TO PART BEFORE ANY FINISH IS APPLIED
ANGLE	± 3'	



NOTES:

1. FINISH: 51- BLACK PAINT (TUBE) AND BLACK NITROTEC (ROD)
2. LABEL TO BE STAMPED WITH CORRESPONDING GUDEN P/N AND DATE CODE. (DATE CODE EX: 09/04 IS THE 9th MONTH OF 2004)
3. P1 FORCE = 200 lbs ± 7.0 lbs

A	CHANGED LOCK TUBE	09/29/04	CD
LTR	DESCRIPTION	DATE	APPD
	REVISION		

DWG ECL31-200-J		SCALE N/A	CODE IDENT. # 03007
MATERIAL PS		FINISH SEE NOTE	
DR. BY RAG		CK. BY CD	
FAX: 1-631-737-2933 EMAIL: info@guden.com WEB: www.guden.com		 99 RAYNOR AVE. RONKONKOMA, N.Y. 11779 1-800-3-HINGES	