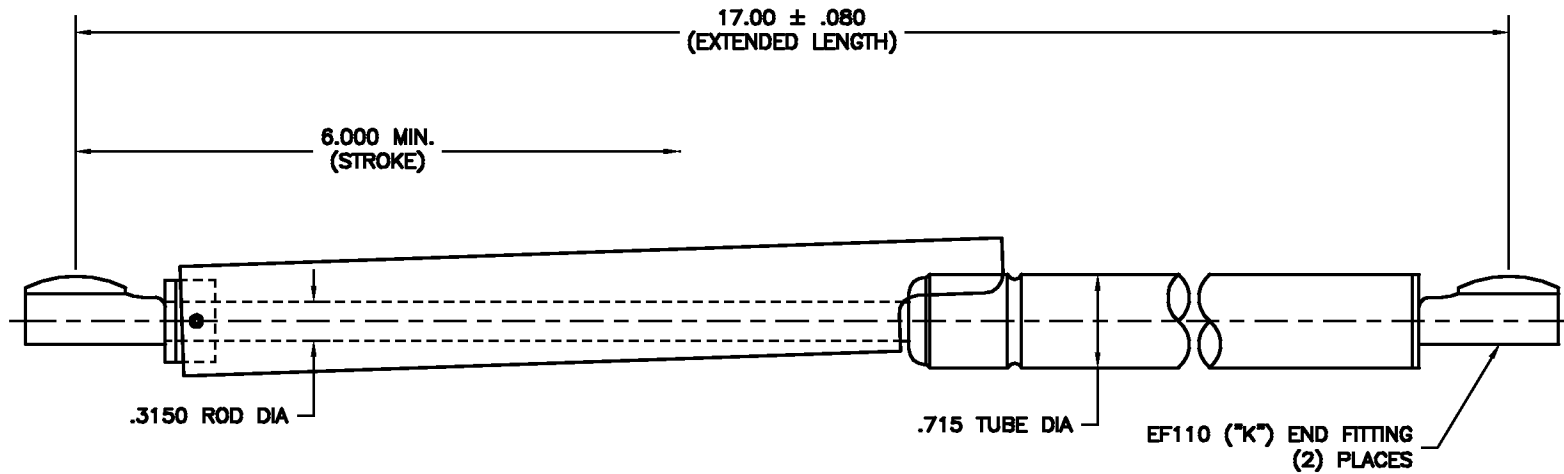


B
SIZE



TOLERANCES UNLESS OTHERWISE SPECIFIED:		
PLACES	INCH	NOTE:
XX	± .030	ACCEPTABLE BURR ± 10% OF MATERIAL THICKNESS ALL TOLERANCES ARE NON-CUMULATIVE ALL DIMENSIONS APPLY TO PART BEFORE ANY FINISH IS APPLIED
XXX	± .015	
XXXX	± .005	
ANGLE	°	



NOTES:

1. FINISH: 51- BLACK PAINT (TUBE) AND BLACK NITROTEC (ROD)
2. LABEL TO BE STAMPED WITH CORRESPONDING GUDEN P/N AND DATE CODE.
(DATE CODE EX: 36/03 IS THE 36th WEEK OF 2003)
3. P1 FORCE = 90 lbs ± 7.0 lbs

A	CHANGED DATE CODE	02/21/03	CD
LTR	DESCRIPTION	DATE	APPD
	REVISION		

DWG ECL23-090-K		SCALE N/A	CODE IDENT. # 03007
MATERIAL PS	FINISH SEE NOTE		
DR. BY RAG	CK. BY CD		
FAX: 1-631-737-2933 EMAIL: info@guden.com WEB: www.guden.com		99 RAYNOR AVE. RONKONKOMA, N.Y. 11779 1-800-3-HINGES	