

A
SIZE

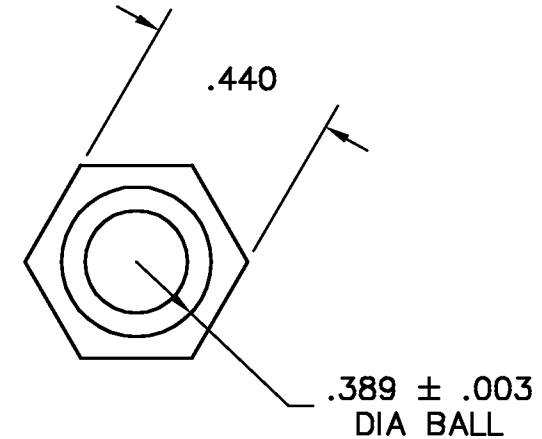
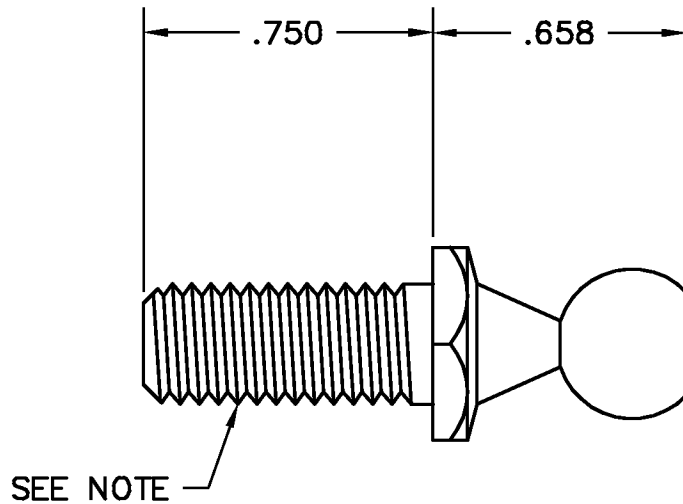
PROJECTIONS



TOLERANCES UNLESS OTHERWISE SPECIFIED:

PLACES	INCH
.XX	± .030
.XXX	± .015
.XXXX	± .005
ANGLE	3°

NOTE:
ACCEPTABLE BURR ± 10% OF MATERIAL THICKNESS
ALL TOLERANCES ARE NON-CUMULATIVE
ALL DIMENSIONS APPLY TO PART BEFORE ANY FINISH IS APPLIED



- NOTES:
1. FINISH: 90- BARREL ZINC & CLEAR CHROMATE
 2. THREADED FOR 5/16-18 UNC-2A
 3. CASE HARDEN AND TEMPER TO ROCKWELL C-45 MIN., .004-.008 DEEP AND CHECK ON SPHERICAL DIAMETER.
 4. AVAILABLE FOR USE WITH GUDEN END FITTINGS EF030, EF090 AND EF110.

DWG		SCALE	2:1	CODE IDENT. #
BS104-02		DATE	08/24/04	03007
MATERIAL	FINISH			
PS	SEE NOTE			
DR. BY RAG	CK. BY CD	<p>FAX: 1-631-737-2933 EMAIL: info@guden.com WEB: www.guden.com</p>		
REVISION		<p>99 RAYNOR AVE. RONKONKOMA, N.Y. 11779 1-800-3-HINGES</p>		

A	DESCRIPTION	DATE	APPD
	CHANGED STUD LENGTH	11/09/04	CD