

A  
SIZE

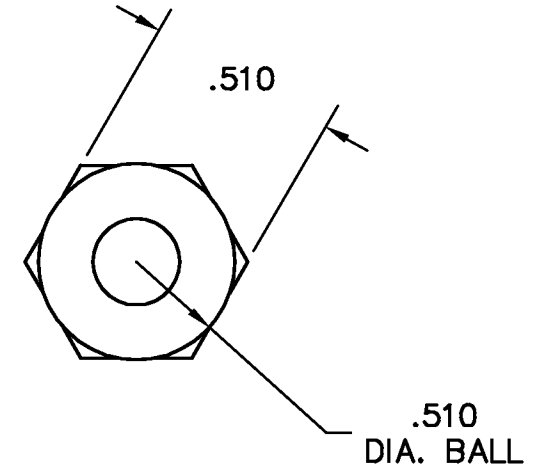
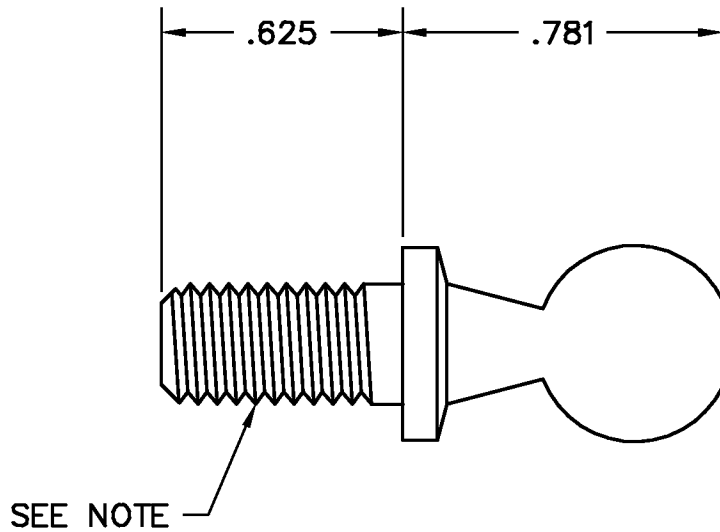
PROJECTIONS



TOLERANCES UNLESS OTHERWISE SPECIFIED:

PLACES	INCH
.XX	± .030
.XXX	± .015
.XXXX	± .005
ANGLE	3°

NOTE:  
ACCEPTABLE BURR ± 10% OF MATERIAL THICKNESS  
ALL TOLERANCES ARE NON-CUMULATIVE  
ALL DIMENSIONS APPLY TO PART BEFORE ANY FINISH IS APPLIED



NOTES:

1. FINISH: 00- NO FINISH
2. THREADED FOR 5/16-18 UNC-2A
3. CASE HARDEN AND TEMPER TO ROCKWELL B85-B95, .004-.008 DEEP AND CHECK ON SPHERICAL DIAMETER.
4. AVAILABLE FOR USE WITH GUDEN END FITTING EF100

DWG		SCALE	1:1	CODE IDENT. #
BS102-32		DATE	07/18/96	03007
MATERIAL	FINISH			
STS	SEE NOTE			
DR. BY RAG	CK. BY CD	99 RAYNOR AVE. RONKONKOMA, N.Y. 11779 1-800-3-HINGES		
FAX: 1-631-737-2933 EMAIL: info@guden.com WEB: www.guden.com				

A	DESCRIPTION	DATE	APPD
	CHANGED ROCKWELL	05/21/04	CD
LTR	REVISION		