

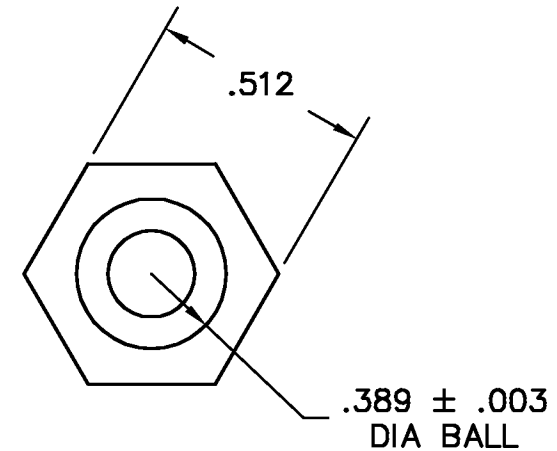
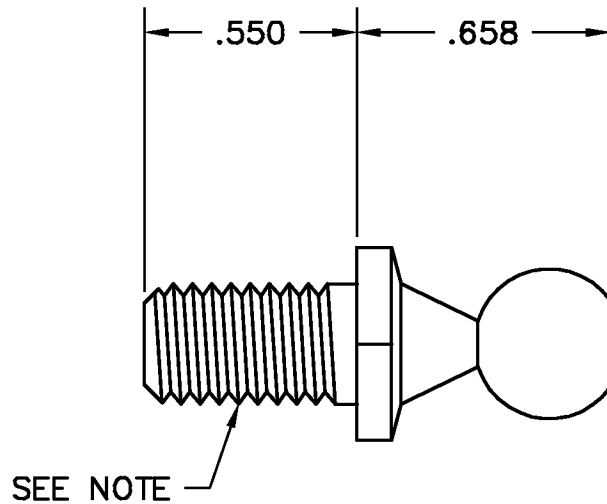
A  
SIZE

PROJECTIONS



TOLERANCES UNLESS OTHERWISE SPECIFIED:


| PLACES | INCH   | NOTE:   |
|--------|--------|---|
| .XX    | ± .030 | ACCEPTABLE BURR ± 10% OF MATERIAL THICKNESS<br>ALL TOLERANCES ARE NON-CUMULATIVE<br>ALL DIMENSIONS APPLY TO PART BEFORE ANY FINISH IS APPLIED |
| .XXX   | ± .015 |   |
| .XXXX  | ± .005 |   |
| ANGLE  | 3°     |   |



NOTES:

1. FINISH: 00- NO FINISH
2. THREADED FOR 5/16-18 UNC-2A
3. CASE HARDEN AND TEMPER TO ROCKWELL B85-B95, .004-.008 DEEP AND CHECK ON SPHERICAL DIAMETER.
4. AVAILABLE FOR USE WITH GUDEN END FITTINGS EF030, EF090 AND EF110.

| B        | CHANGED ROCKWELL | 05/21/04 | CD   |
|----------|------------------|----------|------|
| A        | VARIOUS CHANGES  | 09/13/99 | CD   |
| LTR      | DESCRIPTION      | DATE     | APPD |
| REVISION |                  |          |      |

|                       |           |   |          |               |
|-----------------------|-----------|---|----------|---------------|
| DWG                   |           | SCALE   | 2:1      | CODE IDENT. # |
| BS101-32              |           | DATE  | 07/18/96 | 03007         |
| MATERIAL              | FINISH    |  |          |               |
| STS                   | SEE NOTE  |   |          |               |
| DR. BY RAG            | CK. BY CD | 99 RAYNOR AVE.<br>RONKONKOMA, N.Y. 11779<br>1-800-3-HINGES                            |          |               |
| FAX: 1-631-737-2933   |           |   |          |               |
| EMAIL: info@guden.com |           |   |          |               |
| WEB: www.guden.com    |           |   |          |               |