

A
SIZE

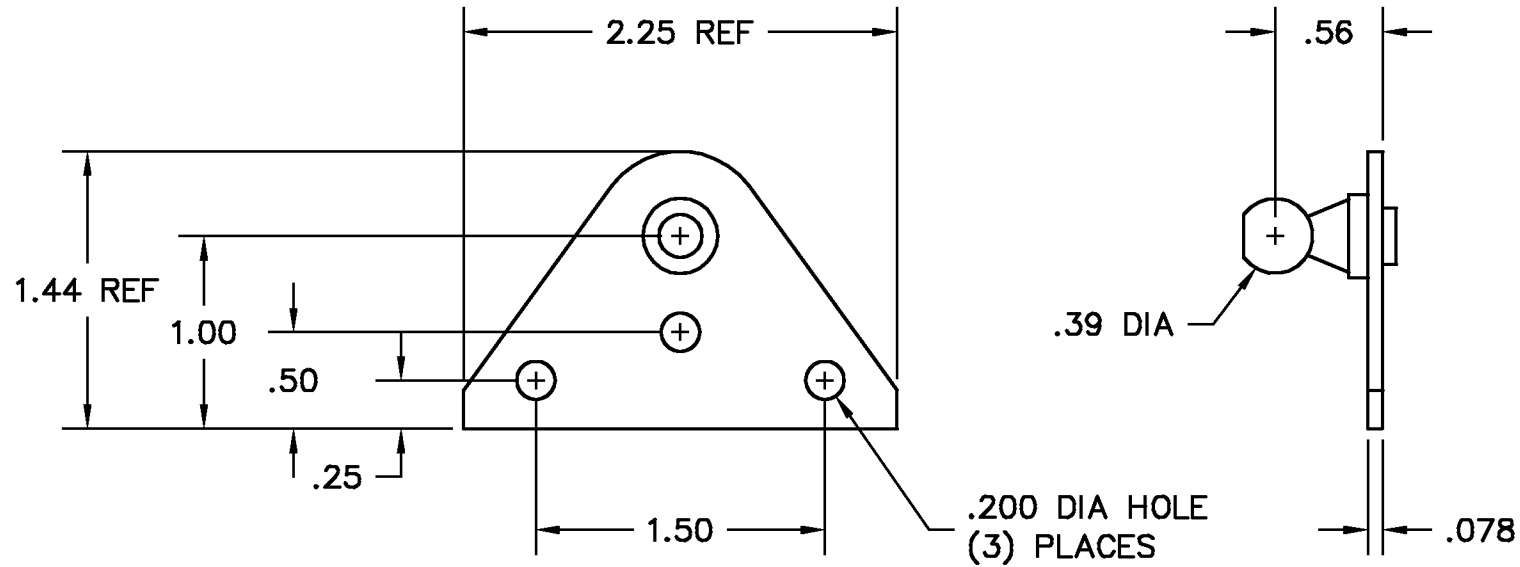
PROJECTIONS



TOLERANCES UNLESS OTHERWISE SPECIFIED:

PLACES	INCH
.XX	± .030
.XXX	± .015
.XXXX	± .005
ANGLE	3°

NOTE:
ACCEPTABLE BURR ± 10% OF MATERIAL THICKNESS
ALL TOLERANCES ARE NON-CUMULATIVE
ALL DIMENSIONS APPLY TO PART BEFORE ANY FINISH IS APPLIED



NOTES:

1. FINISH: 90- BARREL ZINC & CLEAR CHROMATE
2. AVAILABLE FOR USE WITH GUDEN P/N's EF030, EF090 AND EF110 END FITTINGS

REVISION				DWG	SCALE	1:1	CODE IDENT. #
E	REDRAWN, .56 WAS .61	06/27/96	CD	BR202-02	DATE	06/27/96	03007
D	ADDED FLAT TO BALL	12/10/92	AG		MATERIAL	PS	FINISH
C	ADDED NOTE EF110 TO NOTE 3	11/04/92	AG	DR. BY	RAG	CK. BY	CD
B	CHANGED VARIOUS DIMS	10/26/92	AG	<p>FAX: 1-631-737-2933 EMAIL: info@guden.com WEB: www.guden.com</p>			
A	CHANGED VARIOUS DIMS	03/30/90	AG				
LTR	DESCRIPTION	DATE	APPD	<p>GUDEN DELIVERING HARDWARE EXCELLENCE</p> <p>99 RAYNOR AVE. RONKONKOMA, N.Y. 11779 1-800-3-HINGES</p>			