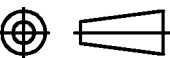
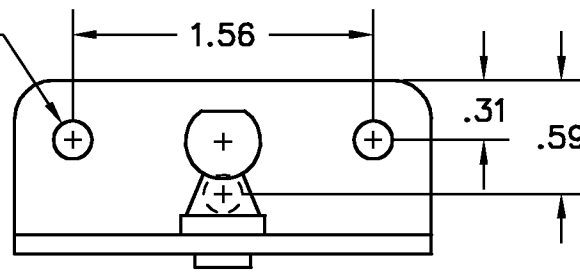


A
SIZE

PROJECTIONS


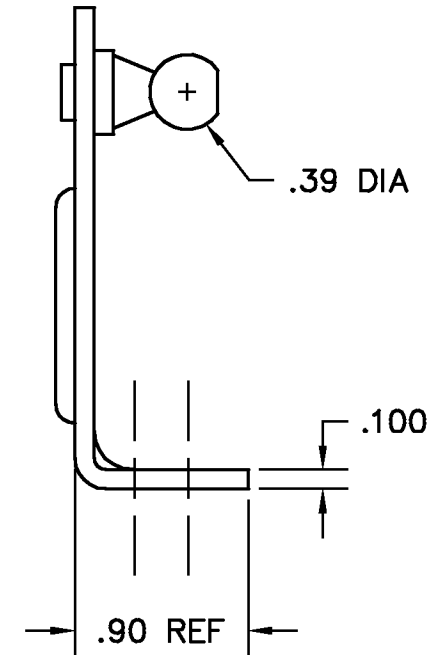
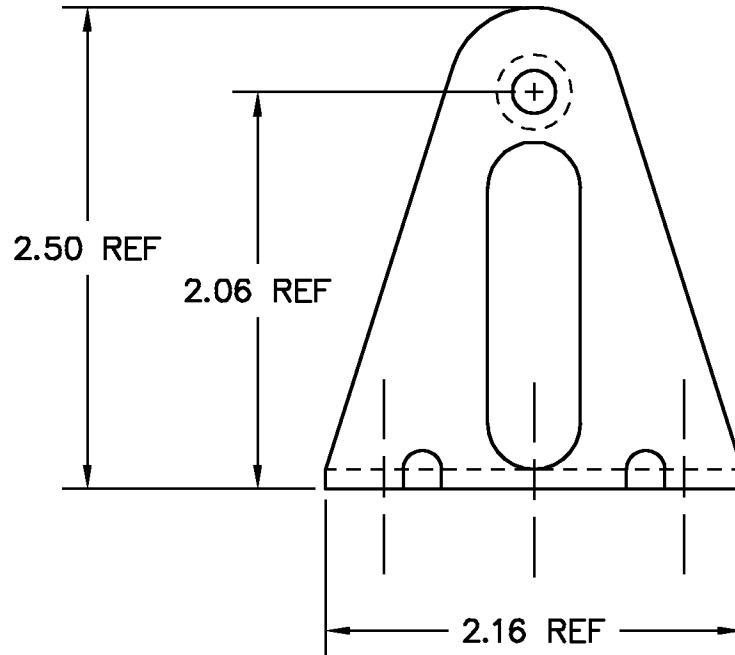
.200 DIA HOLE
(3) PLACES



TOLERANCES UNLESS OTHERWISE SPECIFIED:

PLACES	INCH
.XX	± .030
.XXX	± .015
.XXXX	± .005
ANGLE	3°

NOTE:
 ACCEPTABLE BURR ± 10% OF MATERIAL THICKNESS
 ALL TOLERANCES ARE NON-CUMULATIVE
 ALL DIMENSIONS APPLY TO PART BEFORE ANY FINISH IS APPLIED



NOTES:

1. FINISH: 90- BARREL ZINC & CLEAR CHROMATE
2. AVAILABLE FOR USE WITH GUDEN P/N's EF030, EF090 AND EF110 END FITTINGS

DWG
BR201R-02

SCALE	1:1	CODE IDENT. #
DATE	06/27/96	03007

MATERIAL PS FINISH SEE NOTE



DR. BY RAG CK. BY CD

LTR	DESCRIPTION	DATE	APPD
	REVISION		

FAX: 1-631-737-2933
 EMAIL: info@guden.com
 WEB: www.guden.com

99 RAYNOR AVE.
 RONKONKOMA, N.Y. 11779
 1-800-3-HINGES