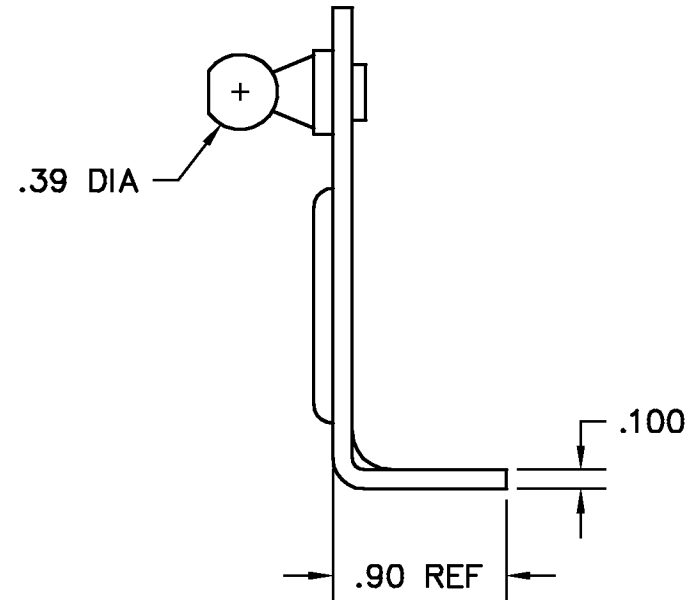
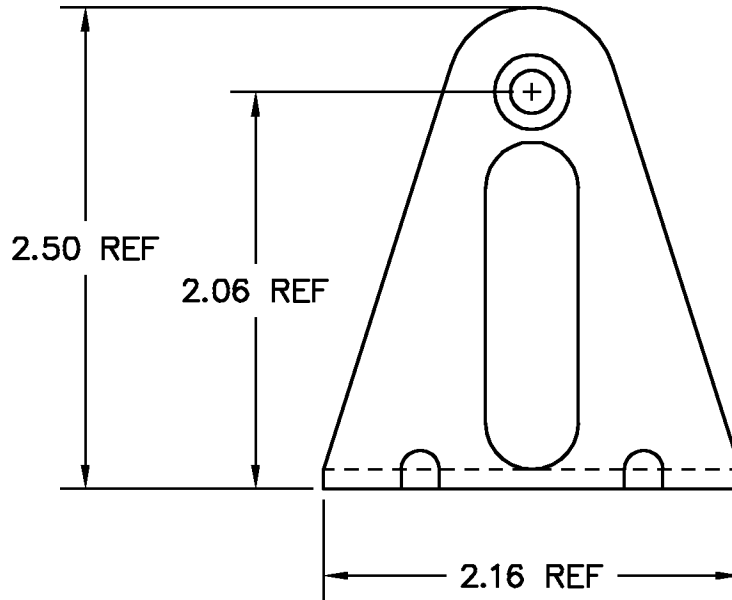
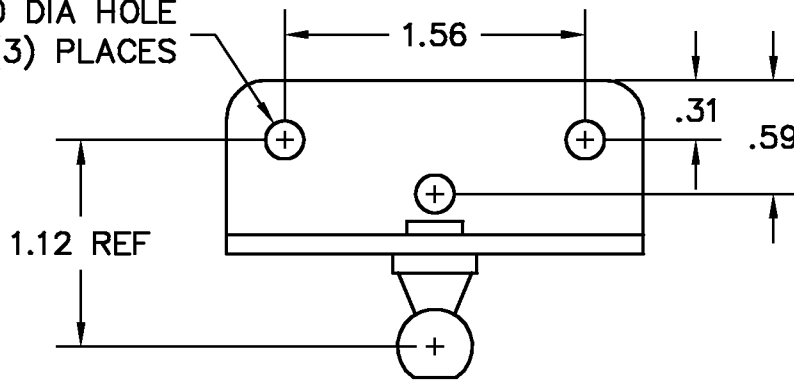


A
SIZE

PROJECTIONS



.200 DIA HOLE
(3) PLACES



TOLERANCES UNLESS OTHERWISE SPECIFIED:

PLACES	INCH
.XX	± .030
.XXX	± .015
.XXXX	± .005
ANGLE	3°

NOTE:
ACCEPTABLE BURR ± 10% OF MATERIAL THICKNESS
ALL TOLERANCES ARE NON-CUMULATIVE
ALL DIMENSIONS APPLY TO PART BEFORE ANY FINISH IS APPLIED

NOTES:

1. FINISH: 90- BARREL ZINC & CLEAR CHROMATE
2. AVAILABLE FOR USE WITH GUDEN P/N's EF030, EF090 AND EF110 END FITTINGS

LTR	DESCRIPTION	DATE	APPD
E	REDRAWN, VARIOUS CHANGES	06/27/96	CD
D	ADDED FLAT TO BALL	12/10/92	AG
C	ADDED NOTE EF110 TO NOTE 3	11/04/92	AG
B	CHANGED VARIOUS DIMS	10/26/92	AG
A	CHANGED VARIOUS DIMS	03/30/90	AG
REVISION			

DWG		SCALE	1:1	CODE IDENT. #
BR201-02		DATE	06/27/96	03007
MATERIAL	FINISH	GUDEN DELIVERING HARDWARE EXCELLENCE		
PS	SEE NOTE			
DR. BY RAG	CK. BY CD	99 RAYNOR AVE. RONKONKOMA, N.Y. 11779 1-800-3-HINGES		
FAX: 1-631-737-2933				
EMAIL: info@guden.com				
WEB: www.guden.com				