

A
SIZE

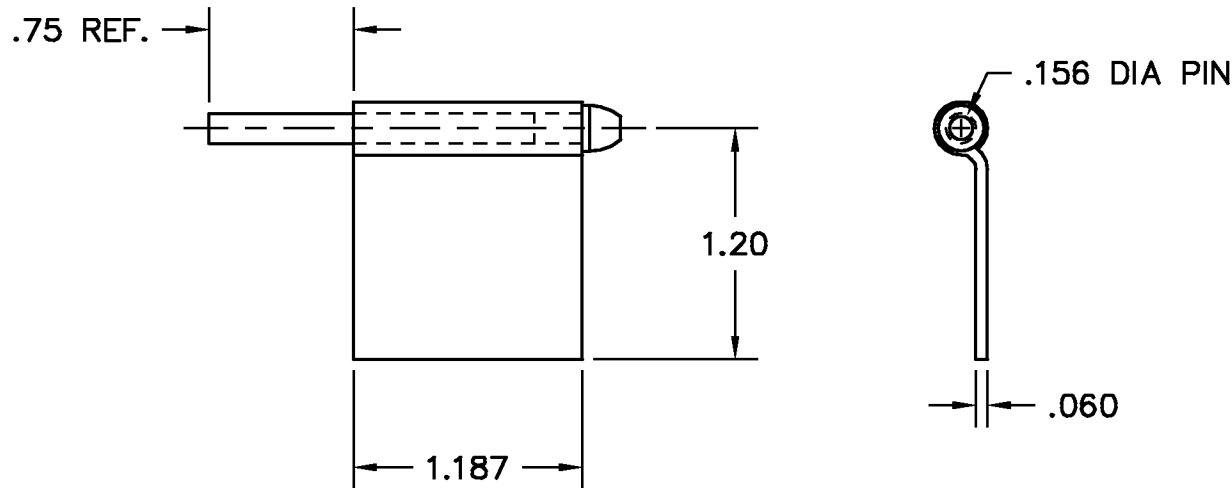
PROJECTIONS



TOLERANCES UNLESS OTHERWISE SPECIFIED:

PLACES	INCH
.XX	± .030
.XXX	± .015
.XXXX	± .005
ANGLE	3°

NOTE:
ACCEPTABLE BURR ± 10% OF MATERIAL THICKNESS
ALL TOLERANCES ARE NON-CUMULATIVE
ALL DIMENSIONS APPLY TO PART BEFORE ANY FINISH IS APPLIED



NOTES:
1. FINISH: 00- NO FINISH

LTR	DESCRIPTION	DATE	APPD
D	REDRAWN	04/30/99	CD
C	PIN WAS .812 LONG	06/01/93	RG
B	REDRAWN	02/24/92	AG
A	REDRAWN	07/06/87	AG
REVISION			

DWG NHPS1474LM	
MATERIAL PS	FINISH SEE NOTE
DR. BY RAG	CK. BY CD
FAX: 1-631-737-2933 EMAIL: info@guden.com WEB: www.guden.com	

SCALE	1:1	CODE IDENT. #
DATE	04/30/99	03007
99 RAYNOR AVE. RONKONKOMA, N.Y. 11779 1-800-3-HINGES		