

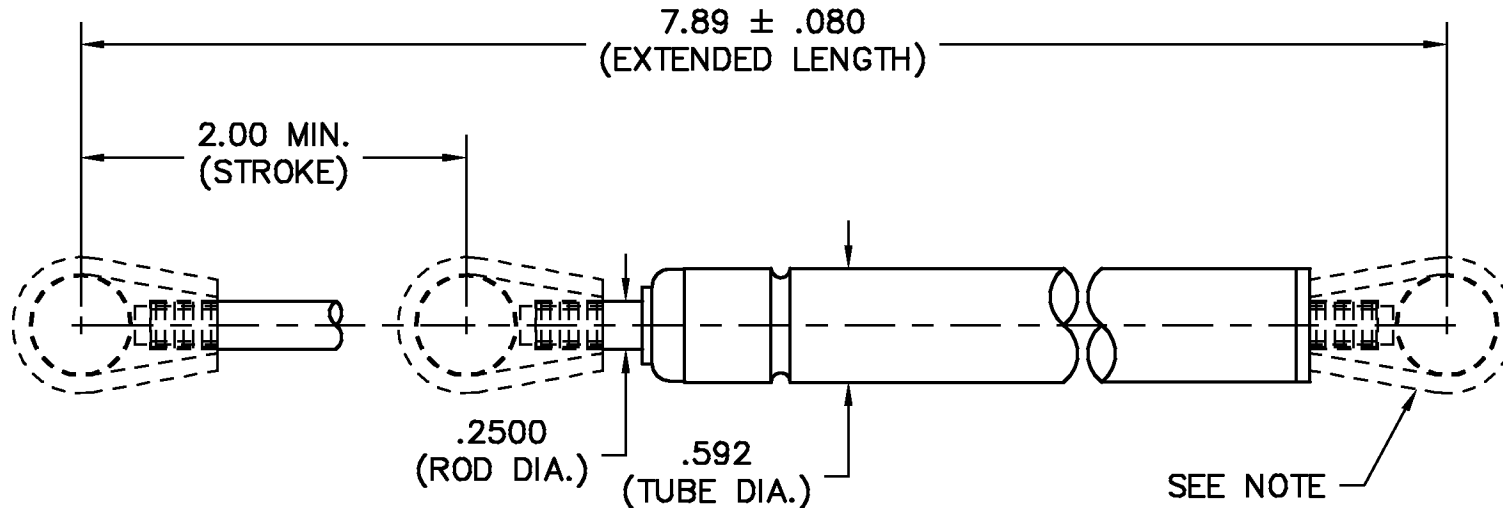
A
SIZE

PROJECTIONS



TOLERANCES UNLESS OTHERWISE SPECIFIED:

PLACES	INCH	NOTE:
.XX	± .030	ACCEPTABLE BURR ± 10% OF MATERIAL THICKNESS ALL TOLERANCES ARE NON-CUMULATIVE ALL DIMENSIONS APPLY TO PART BEFORE ANY FINISH IS APPLIED
.XXX	± .015	
.XXXX	± .005	
ANGLE	3°	



NOTES:

1. FINISH: 61- BLACK PAINT (TUBE) & CHROME (ROD)
2. LABEL TO BE STAMPED WITH CORRESPONDING GUDEN P/N AND DATE CODE (DATE CODE EX.: 0584 IS THE 58th DAY OF 2004)
3. LIGHT DAMPING (ORIFICE PLATE E) IN EXTENSION
4. EXTENDED LENGTH IS MEASURED FROM END FITTING MOUNTING POINTS FOR FAT BLADE, I AND K END FITTINGS.

DWG		SCALE	1:1	CODE IDENT. #
GDE50-E		DATE	09/28/04	03007
MATERIAL	FINISH			
PS	SEE NOTE			
DR. BY RAG	CK. BY CD	99 RAYNOR AVE. RONKONKOMA, N.Y. 11779 1-800-3-HINGES		
FAX: 1-631-737-2933				
EMAIL: info@guden.com				
WEB: www.guden.com				

A	CHANGED NOTE 4	06/07/06	CD
LTR	DESCRIPTION	DATE	APPD
	REVISION		