

A
SIZE

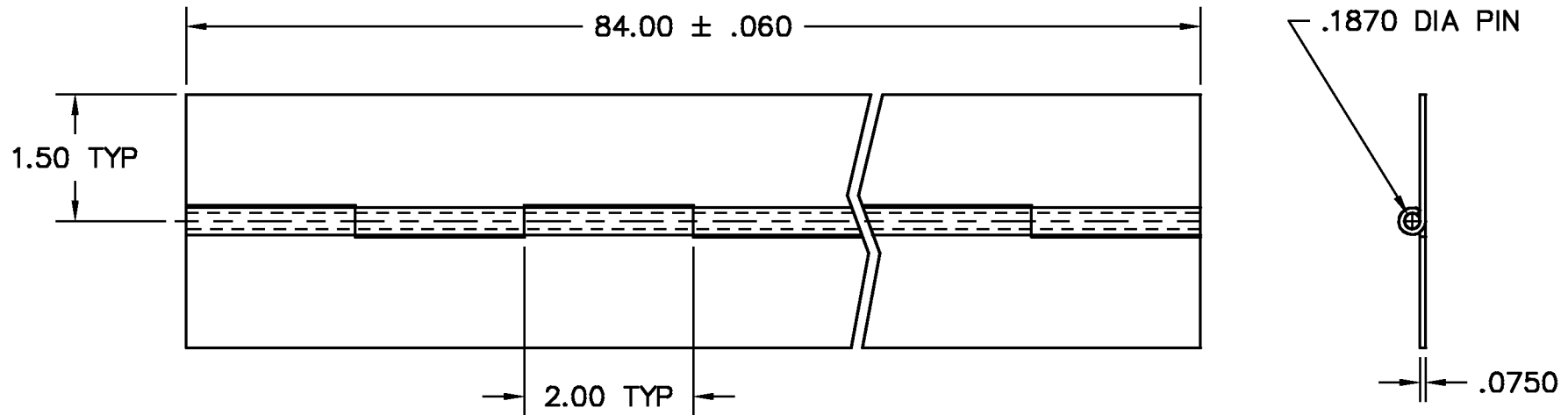
PROJECTIONS




TOLERANCES UNLESS OTHERWISE SPECIFIED:

| PLACES | INCH |
|--------|--------|
| .XX | ± .030 |
| .XXX | ± .015 |
| .XXXX | ± .005 |
| ANGLE | 3° |

NOTE:
ACCEPTABLE BURR ± 10% OF MATERIAL THICKNESS
ALL TOLERANCES ARE NON-CUMULATIVE
ALL DIMENSIONS APPLY TO PART BEFORE ANY FINISH IS APPLIED



NOTES:
1. FINISH: 00- NO FINISH

| | | | | |
|--|-----------|---|----------|---------------|
| DWG | | SCALE | 1:2 | CODE IDENT. # |
| SS08070810-84 | | DATE | 09/23/04 | 03007 |
| MATERIAL | FINISH |  | | |
| STS | SEE NOTE | | | |
| DR. BY RAG | CK. BY CD | | | |
| FAX: 1-631-737-2933 EMAIL: info@guden.com WEB: www.guden.com | | 99 RAYNOR AVE. RONKONKOMA, N.Y. 11779 1-800-3-HINGES | | |

| LTR | DESCRIPTION | DATE | APPD |
|-----|-------------|------|------|
| | REVISION | | |