

A
SIZE

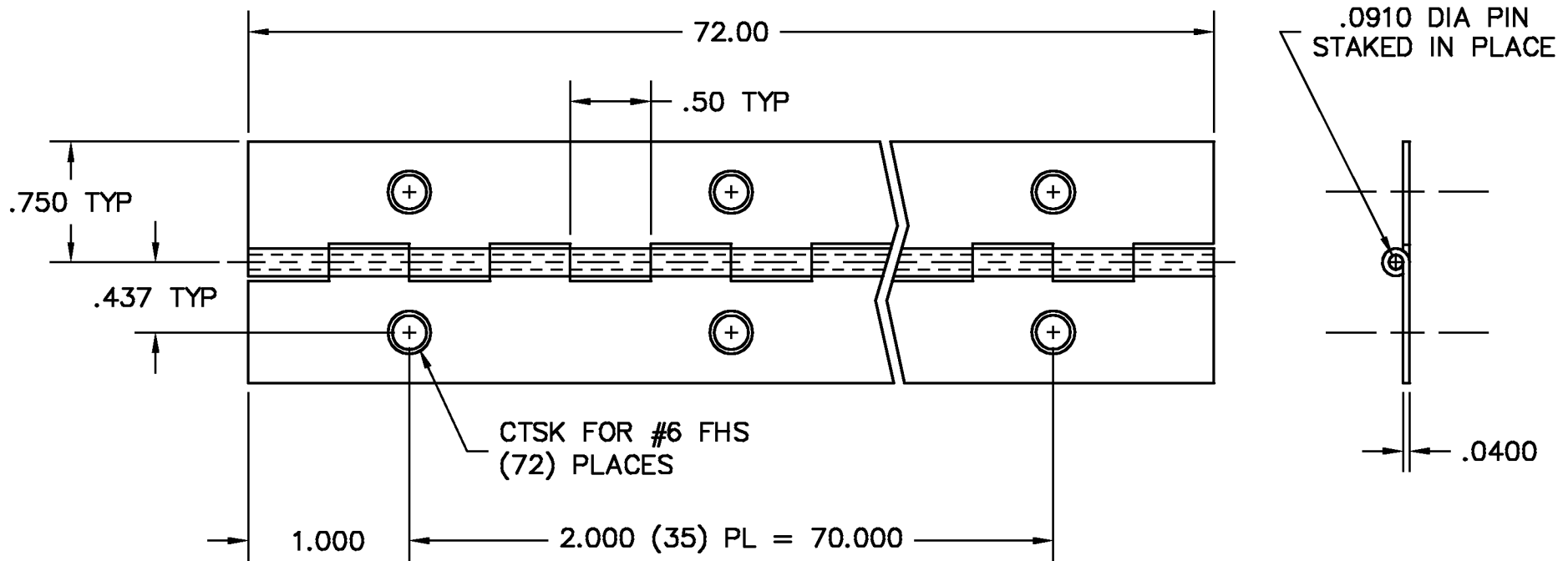
PROJECTIONS



TOLERANCES UNLESS OTHERWISE SPECIFIED:

| PLACES | INCH |
|--------|--------|
| .XX | ± .030 |
| .XXX | ± .015 |
| .XXXX | ± .005 |
| ANGLE | 3° |

NOTE:
ACCEPTABLE BURR ± 10% OF MATERIAL THICKNESS
ALL TOLERANCES ARE NON-CUMULATIVE
ALL DIMENSIONS APPLY TO PART BEFORE ANY FINISH IS APPLIED



NOTES:
1. FINISH: 12- POLISH - TOPSIDE & KNUCKLE ALL AROUND

DWG
SP05050406-72

| | | |
|-------|----------|---------------|
| SCALE | 1:1 | CODE IDENT. # |
| DATE | 09/28/04 | 03007 |

MATERIAL STS
FINISH SEE NOTE



DR. BY RAG
CK. BY CD

| LTR | DESCRIPTION | DATE | APPD |
|-----|-------------|------|------|
| | REVISION | | |

FAX: 1-631-737-2933
EMAIL: info@guden.com
WEB: www.guden.com

99 RAYNOR AVE.
RONKONKOMA, N.Y. 11779
1-800-3-HINGES