

A
SIZE

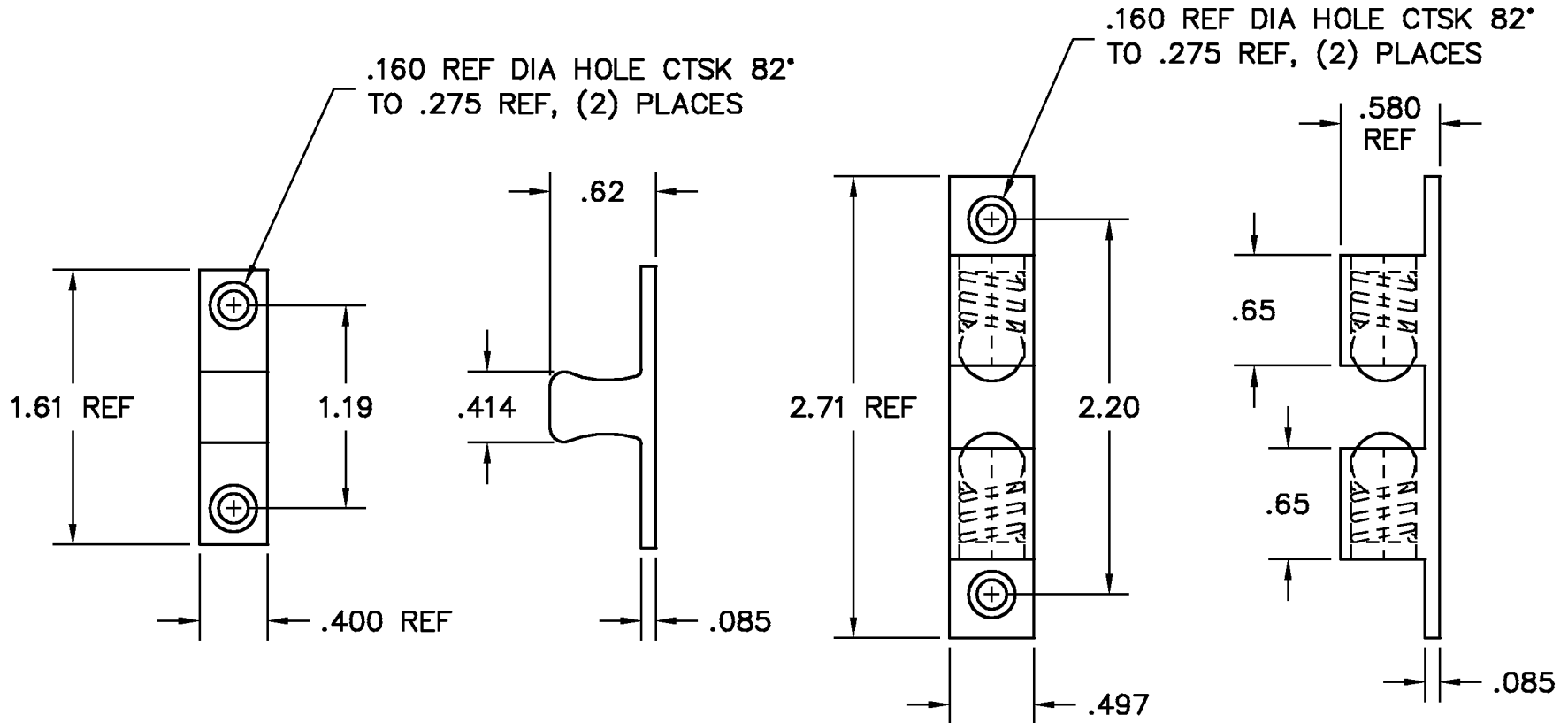
PROJECTIONS



TOLERANCES UNLESS OTHERWISE SPECIFIED:

| PLACES | INCH |
|--------|--------|
| .XX | ± .030 |
| .XXX | ± .015 |
| .XXXX | ± .005 |
| ANGLE | 3° |

NOTE:
ACCEPTABLE BURR ± 10% OF MATERIAL THICKNESS
ALL TOLERANCES ARE NON-CUMULATIVE
ALL DIMENSIONS APPLY TO PART BEFORE ANY FINISH IS APPLIED



NOTES:

1. FINISH: 46A DULL CHROME (BRUSHED)
2. MATERIAL: BODY & STRIKE = CAST BRASS
ADJUSTER SCREW = BRASS
SPRING = SPRING STEEL
BALL = CHROME PLATED STEEL

| | | | | |
|--|-----------------|--|----------|---------------|
| DWG | | SCALE | 1:1 | CODE IDENT. # |
| 4C-26D | | DATE | 06/05/03 | 03007 |
| MATERIAL | FINISH | | | |
| SEE NOTE | SEE NOTE | | | |
| DR. BY RAG | CK. BY CD | 99 RAYNOR AVE. RONKONKOMA, N.Y. 11779 1-800-3-HINGES | | |
| FAX: 1-631-737-2933 EMAIL: info@guden.com WEB: www.guden.com | | | | |
| A | VARIOUS CHANGES | | | |
| LTR | DESCRIPTION | DATE | APPD | |
| REVISION | | | | |