

A  
SIZE

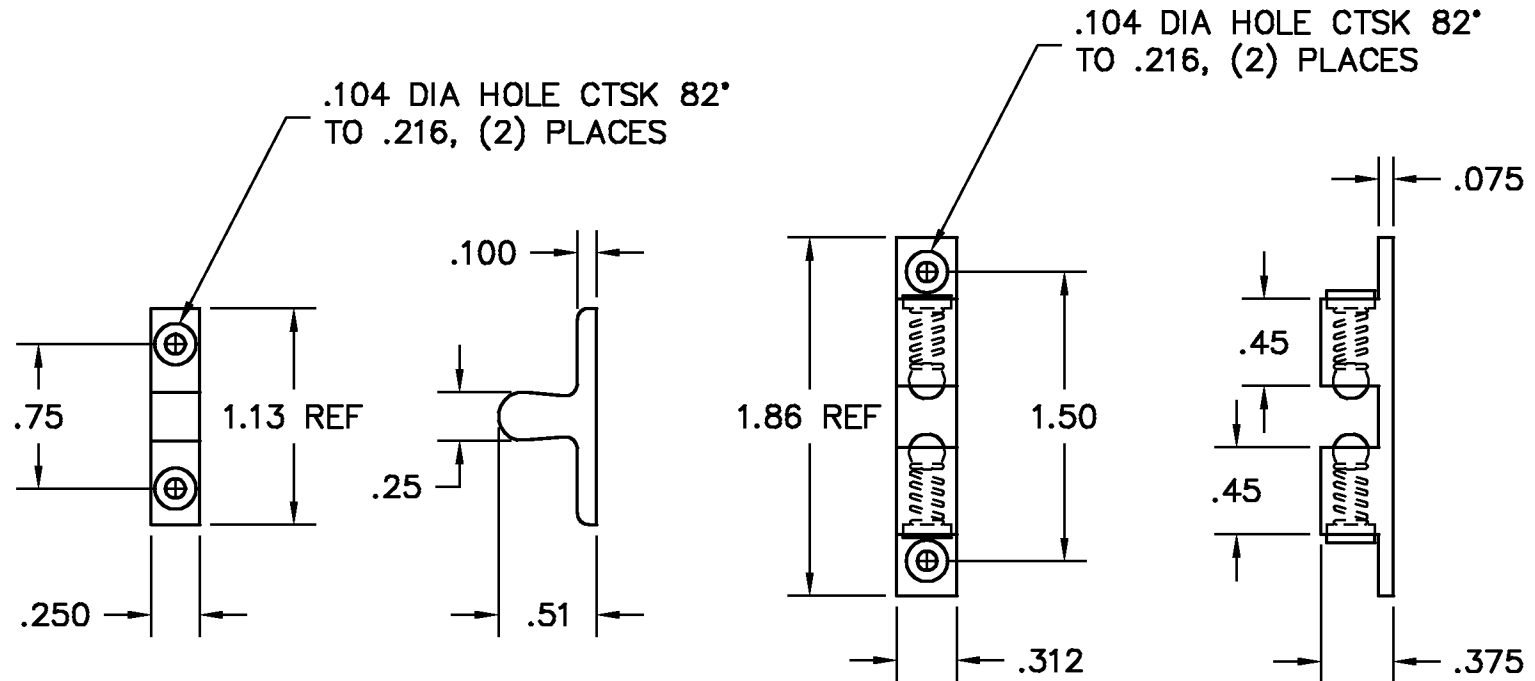
PROJECTIONS



TOLERANCES UNLESS OTHERWISE SPECIFIED:

PLACES	INCH
.XX	± .030
.XXX	± .015
.XXXX	± .005
ANGLE	3°

NOTE:  
ACCEPTABLE BURR ± 10% OF MATERIAL THICKNESS  
ALL TOLERANCES ARE NON-CUMULATIVE  
ALL DIMENSIONS APPLY TO PART BEFORE ANY FINISH IS APPLIED




NOTES:

1. FINISH: 46A DULL CHROME (BRUSHED)
2. MATERIAL: BODY, STRIKE, AND  
     ADJUSTER SCREW = BRASS  
     SPRING = STS  
     BALL = GRADE 1000  
     NAVAL BRONZE

LTR	REVISION	DESCRIPTION	DATE	APPD
E	CHANGED FINISH		02/07/02	CD
D	VARIOUS CHANGES		07/24/01	CD
C	CHANGED SPRING		04/18/01	CD
B	CHANGED SPRING		05/02/00	CD
A	CHANGED SPRING		02/14/00	CD

DWG	
1-26D	
MATERIAL	FINISH
SEE NOTE	SEE NOTE
DR. BY RAG	CK. BY CD
FAX: 1-631-737-2933 EMAIL: info@guden.com WEB: www.guden.com	

SCALE	1:1	CODE IDENT. #
DATE	04/16/99	03007
 DELIVERING HARDWARE EXCELLENCE		
99 RAYNOR AVE. RONKONKOMA, N.Y. 11779 1-800-3-HINGES		